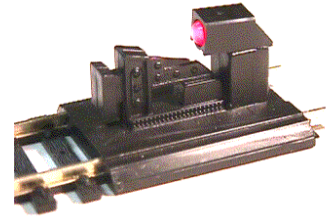
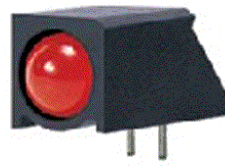
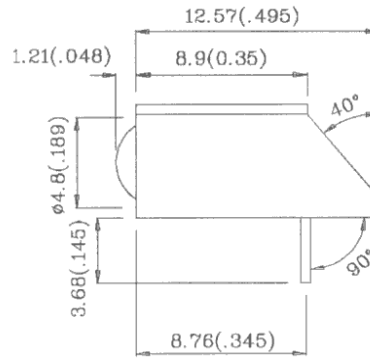
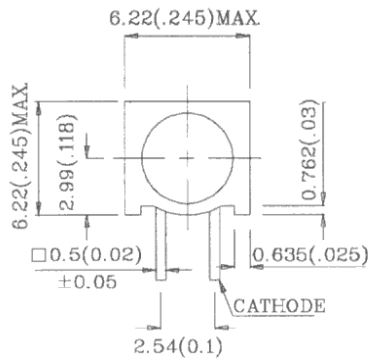


**4.8mm RIGHT ANGLE LED INDICATOR**



XWD1LMR48D



UL RATING : 94V-0.

HOUSING MATERIAL : TYPE 66 NYLON.

Notes:

1. All dimensions are in millimeters (inches).
2. Tolerance is ±0.25(0.01") unless otherwise noted.

| Absolute maximum ratings<br>(T <sub>A</sub> =25°C)            |                     | MR<br>(GaAlAs) | Unit |
|---|---------------------|----------------|------|
| Reverse voltage   | V <sub>R</sub>      | 5              | V    |
| Forward current   | I <sub>F</sub>      | 30             | mA   |
| Forward current (peak)<br>1/10Duty cycle<br>0.1ms pulse width | i <sub>Fs</sub>     | 155            | mA   |
| Power dissipation   | P <sub>T</sub>      | 100            | mW   |
| Operating temperature   | T <sub>A</sub>      | -40 - +85      | °C   |
| Storage temperature   | T <sub>stg</sub>    |                |      |
| Lead solder temperature<br>[2mm below package base]           | 260°C For 5 Seconds |                |      |

| Operating Characteristics<br>(T <sub>A</sub> =25°C)          |                   | MR<br>(GaAlAs) | Unit |
|--|-------------------|----------------|------|
| Forward voltage (typ.)<br>(I <sub>F</sub> =20mA)             | V <sub>F</sub>    | 1.85           | V    |
| Forward voltage (max.)<br>(I <sub>F</sub> =20mA)             | V <sub>F</sub>    | 2.5            | V    |
| Reverse current<br>(V <sub>R</sub> =5V)                      | I <sub>R</sub>    | 10             | uA   |
| Wavelength at peak<br>emission<br>(I <sub>F</sub> =20mA)     | λ <sub>peak</sub> | 660            | nm   |
| Wavelength at Dominate<br>emission<br>(I <sub>F</sub> =20mA) | λ <sub>D</sub>    | 640            | nm   |
| Spectral Line half-width<br>(I <sub>F</sub> =20mA)           | Δλ                | 20             | nm   |
| Capacitance<br>(V <sub>F</sub> =0V, f=1MHz)                  | C                 | 45             | pF   |

| Part Number | Emitting Color | Emitting Material | Lens-color   | Luminous Intensity<br>(I <sub>F</sub> =20mA)<br>mcd |      | Wavelength<br>nm<br>λ <sub>P</sub> | Viewing Angle<br>2θ1/2 |
|-------------|----------------|-------------------|--------------|---|------|------------------------------------|------------------------|
|             |                |                   |              | min.  | typ. |                                    |                        |
| XWD1LMR48D  | Red            | GaAlAs            | Red Diffused | 100   | 299  | 660                                | 60°                    |