

8MM 150MA LED

DISTRIBUTED BY QUICKAR ELECTRONICS, INC.

Features

- High intensity LED lamp;
- ϕ 8 mm round shape;
- UV resistant epoxy for outdoor use;

Applications

- Indicators;
- Illumination;

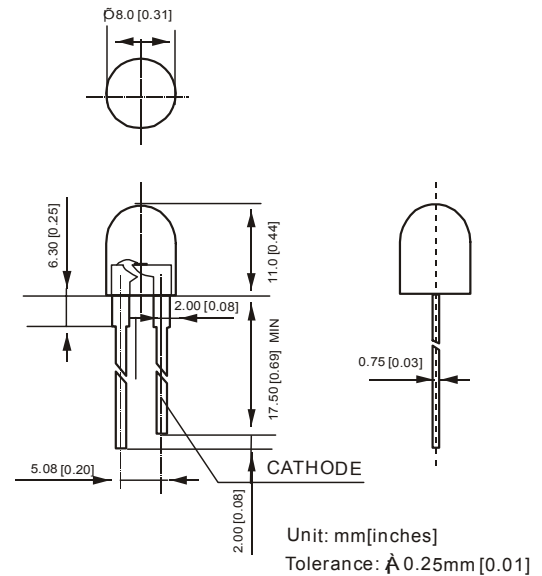
Absolute Maximum Ratings $T_a=25^\circ\text{C}$

Parameter	Symbol	Max		Unit
		R \square Y	B \square LW	
Power Dissipation	P _d	450	500	mW
Peak Forward Current*	I _{FP}	500	450	mA
Continuous Forward Current	I _F	150		mA
Derating Linear From 50 \square		0.4		mA/ \square
Reverse Voltage	V _R	5		V
Operating Temperature Range	T _{opr}	-30 to +80 \square		
Storage Temperature Range	T _{stg}	T _{stg} -40 \square t o +100 \square		
Lead Soldering Temperature \square	T _{sol}	260		\square

* Duty ratio max 1/10 Pulse Width max. 0.1ms;

\square At the position of 4mm from the bottom of the package within 5 seconds.

Package Dimensions



Electrical Optical Characteristics ($T_a=25^\circ\text{C}$ \square \square IF=150mA)

Part No.	Material	Chip size	Lens	Emitting Color	Forward Voltage (v)		Luminous Intensity (mcd)		Dominant Wavelength (nm)		Spectra Line Half-Width ($\Delta\lambda$)	Viewing Angle ($2\theta_{1/2}$)
					Typ	Max	Min	Typ	Min	Max		
8WDXCB-H55	InGaN	24X24	Water Clear	White	3.4	3.8	22000	25000	—	—	—	55°
8BDXCB-H55	InGaN	24X24	Water Clear	Blue	3.4	3.8	13000	15000	460	470	30	55°
8GDXXCB-H55	InGaN	24X24	Water Clear	Green	3.4	3.8	24000	26000	555	565	30	55°
8RDXCB-H55	AlGaInP	24X24	Water Clear	Red	3.4	3.8	11000	12000	590	600	20	55°
8YDXCB-H55	AlGaInP	24X24	Water Clear	Blue	3.4	3.8	11500	12500	625	635	20	55°