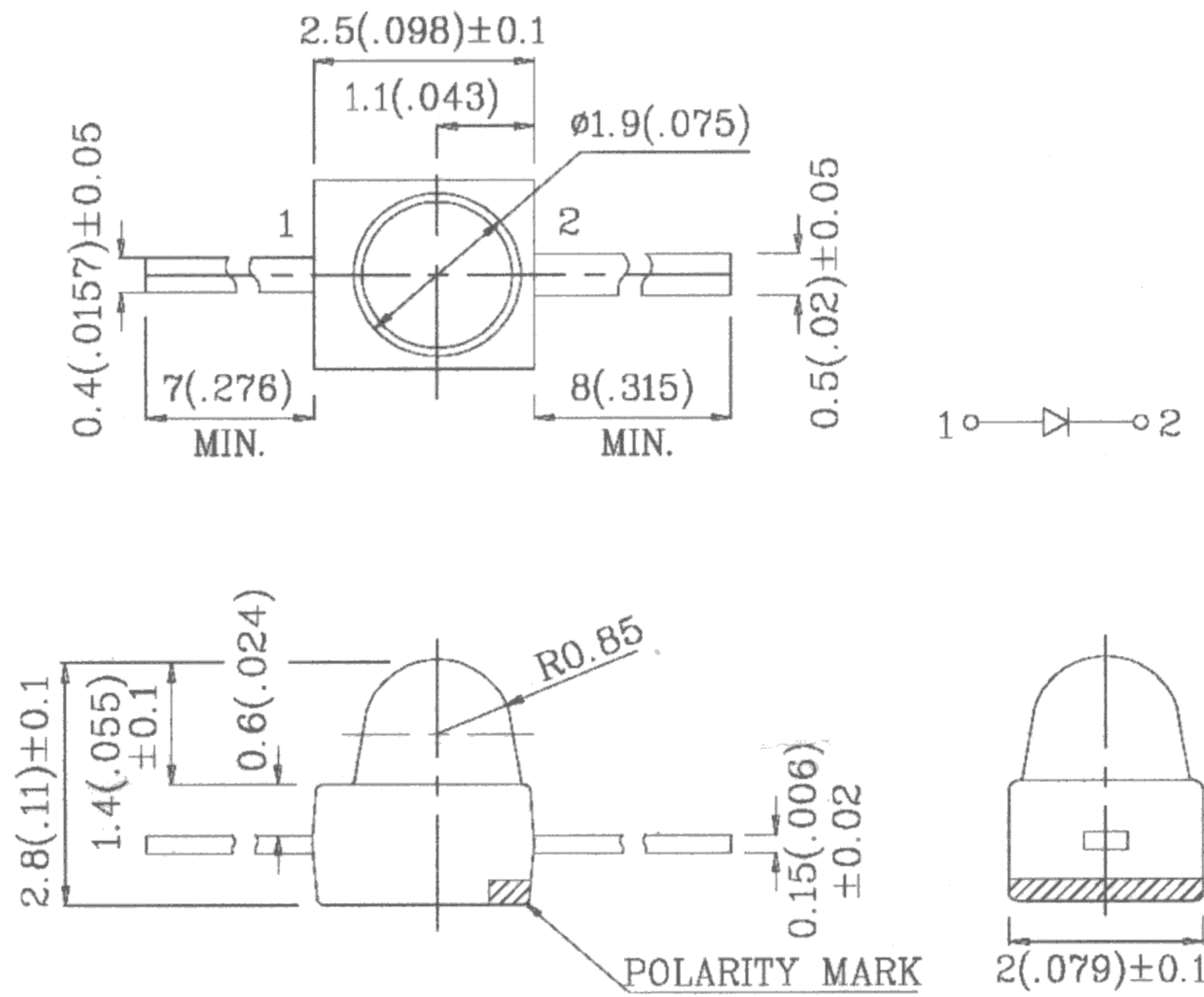


## 2mm Axial LED

**RED**



**Notes:**

1. All dimensions are in millimeters (inches).
2. Tolerance is  $\pm 0.25(0.01)$  unless otherwise noted.

Absolute maximum ratings ( $T_A=25^\circ\text{C}$ )		UR (GaAsP/GaP)	Unit
Reverse voltage	$V_R$	5	V
Forward current	$I_F$	30	mA
Forward current (peak) 1/10Duty cycle 0.1ms pulse width	$i_{FS}$	160	mA
Power dissipation	$P_T$	105	mW
Operating temperature	$T_A$	-40 ~ +85	$^\circ\text{C}$
Storage temperature	$T_{stg}$		
Lead solder temperature [2mm below package base]	260 $^\circ\text{C}$ For 5 Seconds		

Operating Characteristics ( $T_A=25^\circ\text{C}$ )		UR (GaAsP/GaP)	Unit
Forward voltage (typ.) ( $I_F=20\text{mA}$ )	$V_F$	2.0	V
Forward voltage (max.) ( $I_F=20\text{mA}$ )	$V_F$	2.5	V
Reverse current ( $V_R=5\text{V}$ )	$I_R$	10	$\mu\text{A}$
Wavelength at peak emission ( $I_F=20\text{mA}$ )	$\lambda_{peak}$	627	nm
Wavelength at Dominate emission ( $I_F=20\text{mA}$ )	$\lambda_D$	625	nm
Spectral Line half-width ( $I_F=20\text{mA}$ )	$\Delta\lambda$	45	nm
Capacitance ( $V_F=0\text{V}$ , $f=1\text{MHz}$ )	$C$	15	pF

Emitting Color	Emitting Material	Lens-color	Luminous Intensity ( $I_F=20\text{mA}$ ) mcd		Wavelength nm $\lambda_P$	Viewing Angle $2\theta_{1/2}$
			min.	typ.		
Red	GaAsP/GaP	Red Diffused	7	29	627	40 $^\circ$