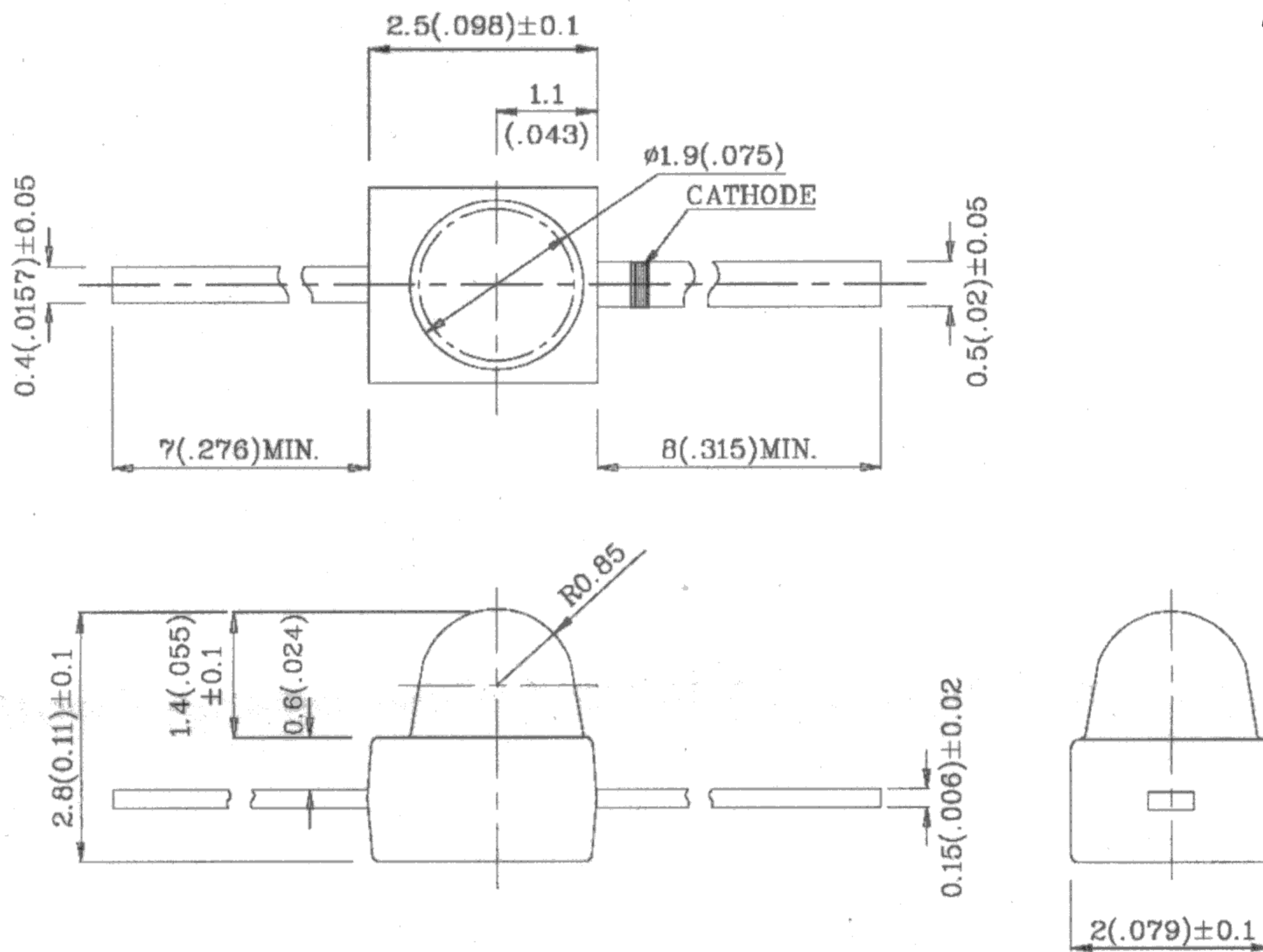


2mm Axial LED
GREEN



Notes:

1. All dimensions are in millimeters (inches).
2. Tolerance is ± 0.25(0.01") unless otherwise noted.

Absolute maximum ratings (TA=25°C)		MG (GaP)	Unit
Reverse voltage	VR	5	V
Forward current	IF	25	mA
Forward current (peak) 1/10Duty cycle 0.1ms pulse width	ifs	140	mA
Power dissipation	PT	105	mW
Operating temperature	TA	-40 ~ +85	°C
Storage temperature	Tstg		
Lead solder temperature [2mm below package base]	260°C For 5 Seconds		

Operating Characteristics (TA=25°C)		MG (GaP)	Unit
Forward voltage (typ.) (IF=20mA)	VF	2.2	V
Forward voltage (max.) (IF=20mA)	VF	2.5	V
Reverse current (VR=5V)	IR	10	uA
Wavelength at peak emission (IF=20mA)	λpeak	565	nm
Wavelength at Dominate emission (IF=20mA)	λD	568	nm
Spectral Line half-width (IF=20mA)	Δλ	30	nm
Capacitance (VF=0V, f=1MHz)	C	15	pF

Emitting Color	Emitting Material	Lens-color	Luminous Intensity (IF=20mA) mcd		Wavelength nm λP	Viewing Angle 2θ1/2
			min.	typ.		
Green	GaP	Green Diffused	2.6	9	565	40°