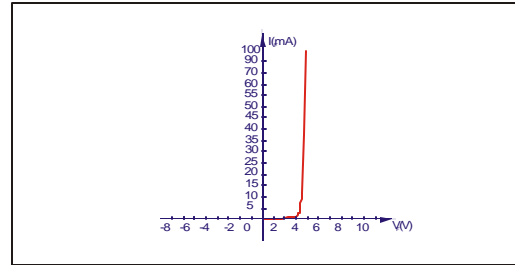
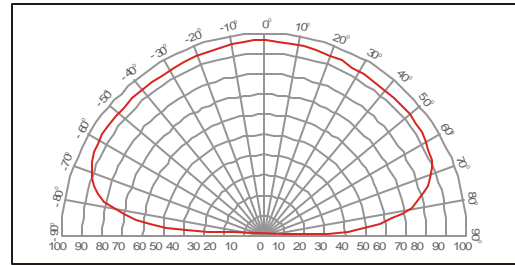
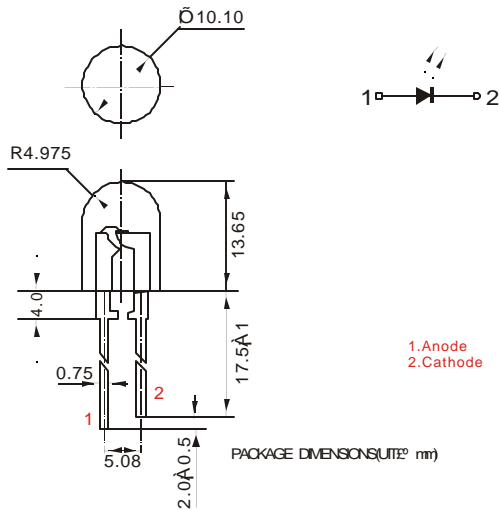


High LEDs



Electro-Optical Characteristics ($T_a=25^{\circ}\text{C}$)

Items	Epoxy Package	Lead frame	Emitting Color	Wavelength	Electro-Optical Characteristics		
				λ_p	V_F	I_F	I_v (mcd)
				(nm)	(V)	(mA)	180°
10W4DHCB-H	W/o flange	Copper	White	—	3.2-3.6	100	12000
10B4DHCB-H	W/o flange	Copper	Blue	465-470	3.2-3.6	100	7000
10G4DHCB-H	W/o flange	Copper	Green	520-540	3.2-3.6	100	13000
10R4DHCB-H	W/o flange	Copper	Red	620-630	1.9-2.3	100	6000
10Y4DHCB-H	W/o flange	Copper	Yellow	580-590	1.9-2.3	100	6500

Absolute maximum ratings ($T_a=25^{\circ}\text{C}$)

Parameter	Symbol	Testing Conditions				Unit
			Min	Typ	Max	
Power Dissipation	P_D	—	—	—	100	mW
Reverse Current	V_R	$I_R=30\mu\text{A}$	—	—	6.0	V
Working Temperature	T_{OPR}	—	—	—	+70	$^{\circ}\text{C}$
Soldering Temperature	T_{STG}	—	-40	—	100	$^{\circ}\text{C}$
Soldering Temperature	T_{SLD}	260 $^{\circ}\text{C}$ (5 seconds)				

10mm High Powered Led

